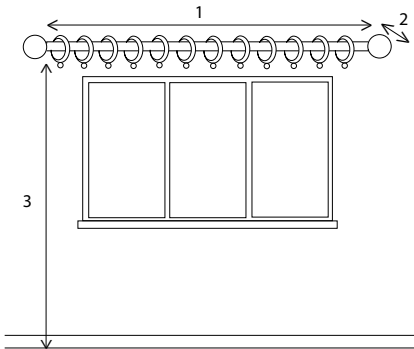
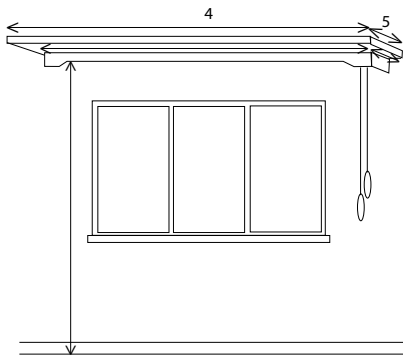




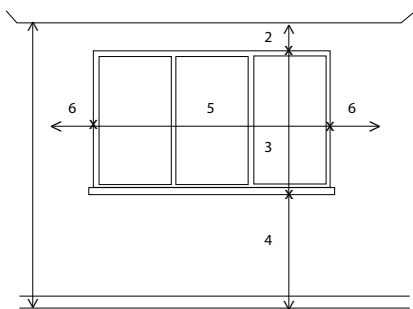
PARDA
LONDON



Measuring Existing Fittings	
Wall fixed or ceiling-fixed track or pole	
1. Length of track or pole	
2. Return of track or pole to the wall	
3. Hook to floor or sill	



Additional measurements needed for a track fitted to a pelmet board.	
4. Front edge of pelmet board	
5. Return of pelmet board to the wall	



Measuring bare windows	
1. Under coving/ceiling to floor/carpet	
2. Wall space above window	
3. Top of window or architrave to sill – If you want to keep out light and draughts, add an extra 7.5-15cm to the curtain length	
4. Sill to floor	
5. Width of the window (including frame)	
6. Available wall space either side of window for curtain stack back	
7. Depth of Architrave	
8. Width of window recess (inside reveal)	
9. Depth of window recess (inside reveal)	
10. Width of window (outside reveal) – Allow an extra 2.5-10cm at each side to the width of blinds	
11. Depth of window (outside reveal) – Allow an extra 2.5-10cm to the top and bottom of the finished length of the blind.	
12. Type of wall around window (concrete lintel, wooden beam, brick etc)	